



INSTALLATION MANUAL
FORD BRONCO RAPTOR MATRIX FRONT BUMPER
PRODUCT NUMBER: X575X
APPLICATION: 2022 FORD BRONCO RAPTOR



IMPORTANT SAFETY GUIDE | Your safety and the safety of others is very important.

In order to help you make informed decisions about safety, we have provided the following warnings, safety precautions, installation instructions, and other important information to alert you to potential hazards that could hurt you or others.

Please do a job safety analysis before each task to identify potential hazards for your situation and remove/protect against them. Use own good judgment and take your time.

Check packaged materials immediately upon arrival to ensure that all listed parts are included and undamaged.

Read and understand all warnings, safety precautions, and instructions before installing this product.

SENSORS FIELD OF VIEW MAY BE ALTERED WITH USE OF THE REPLACEMENT BUMPER.

WARNINGS

- Failure to observe the following warnings and instructions provided in this manual could lead to severe injury and/or death.
- For professional installation only. Careless installation and/or operation can result in serious injury, death, and/or equipment damage. All liability for installation and use rests with the user or consumer.
- Fab Fours, Inc. only approves installing this product according to these written instructions with the hardware provided. Failure to install according to these instructions will invalidate the warranty. This includes, but is not limited to, using alternative installation methods, hardware, or materials.
- This product is for off road use only.

SAFETY PRECAUTIONS

- Always remove jewelry and wear eye protection.
- Always use extreme caution when jacking up a vehicle for work. Set emergency brake and use tire blocks. Locate and use the vehicle manufacturers designated lifting points. Use jack stands.
- Always use appropriate and adequate care in lifting components into place.
- Always ensure components will remain secure during installation and operation.
- Always wear safety glasses when installing this kit. A drilling operation will cause flying metal chips. Flying chips can cause serious eye injury.
- Always use extreme caution when drilling a vehicle. Always disconnect power before welding. Thoroughly inspect the area to be drilled (on both sides of material when possible) prior to drilling, and relocate any objects that may be damaged.
- Always use extreme caution when welding a vehicle. Thoroughly inspect the area to be welded (on both sides of material when possible) prior to welding, and relocate any objects that may be a fire hazard. When welding in a cab, make sure the interior surfaces are covered (e.g., welding blanket) and a fire extinguisher is at hand.
- Always use extreme caution when cutting and trimming during fitting.
- Always tighten all nuts and bolts securely per installation instructions.
- Always route electrical cables carefully. Avoid moving parts, components that become hot, and rough or sharp edges.
- Always insulate and protect all exposed wiring and electrical terminals.
- Perform regular inspections and maintenance on mounts and hardware.

TABLE OF CONTENTS

- 2 SAFETY / DISCLAIMER
- 3 TABLE OF CONTENTS
- 4 A MESSAGE FROM THE OWNER
- 5 GETTING STARTED
- 6 PROVIDED MATERIAL
- 8 DISASSEMBLY
- 12 INSTALLATION
- 15 CONTACT

A MESSAGE FROM THE OWNER



Fab Fours' was born out of a passion for customizing vehicles and a love of the outdoors. Our engineering team uses the latest 3D design software to turn new product ideas into reality. In our factory, designs come to life with the combination of cutting edge technology for metal cutting and forming and an American workforce that puts its' heart and pride into every product.

From design and manufacturing, to quality and delivery, Fab Fours' mission is to be the market leader for steel truck and jeep accessories. We make sure a quality product is delivered on time, more than expected, better than expected to our customers.

Enjoy your new Fab Fours product. Welcome to the family!

Greg Higgs

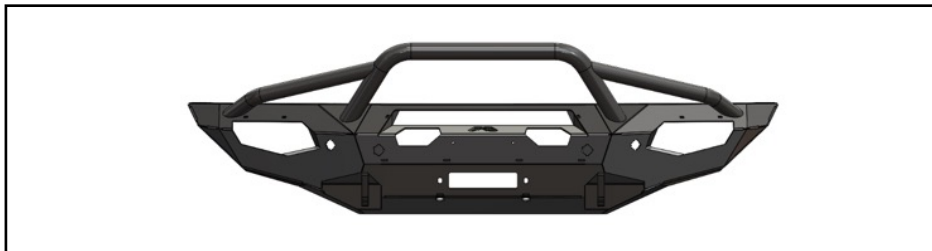
FOUNDER, FAB FOURS

GETTING STARTED

Before you begin the installation process of your new Fab Fours product, we suggest laying out all materials and parts on a pad or protective surface.

Failure to fully account for all components before beginning installation may leave vehicle immobile until part is acquired. Refer to the next pages as an inventory check.

PROVIDED MATERIALS



22898 - BUMPER SHELL



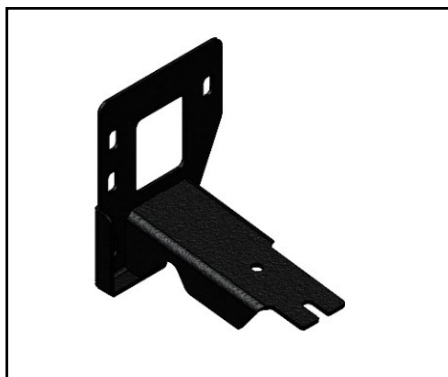
20296 - BOLT STRIP QTY:2



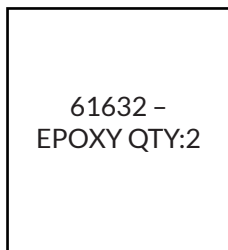
21871-10 - LIGHT BAR
L-BRACKETS QTY:2



22512 - DS MOUNTING
BRACKET



22513 - PS MOUNTING
BRACKET



61632 -
EPOXY QTY:2

TOOLS REQUIRED

- 15MM SOCKET
- 7/16" SOCKET/WRENCH
- 1/2" SOCKET/WRENCH
- 3/4" SOCKET/WRENCH
- SWIVELING SOCKET
EXTENSION
- BODY PRY TOOL

ASSISTANCE

We recommend two people perform the installation as items are heavy and may need to be held in place while installing.

ORGANIZATION

Disassemble the vehicle where you can catalog and store everything. We suggest labeling and bagging all the OEM bolts when removing from the vehicle. Failure to keep track of parts could lead to an inability to properly reinstall components.

HARDWARE KIT | X575X-IM

FAB FOURS IDENTIFICATION	COMPONENT DESCRIPTION	QTY
50368-HW	1/2"- USS, Grade 8, Flat Washer	4
50368-HW	1/2"- SAE , Grade 8, Lock Washer	4
50368-HW	1/2"-13 , Grade 8, Hex Nut	4
50368-HW	1/4"-20 x 1", Grade 8, Hex head cap screw	2
50368-HW	1/4"-20, Grade 8, Hex nut	2
50368-HW	1/4"- SAE, Grade 8, Flat washer	4
50368-HW	1/4"- SAE, Grade 8, Lock washer	2
50368-HW	7/16"- USS, Grade 8, Flat washer	6
50368-HW	1 3/8", Grommet , Plastic, mm9307K81	4
50368-HW	Plastic Plug	4

DISSASSEMBLY

1. Using the panel pry tool remove the eight (8) push pins attaching the two (2) tow hook cover plates to the bumper.

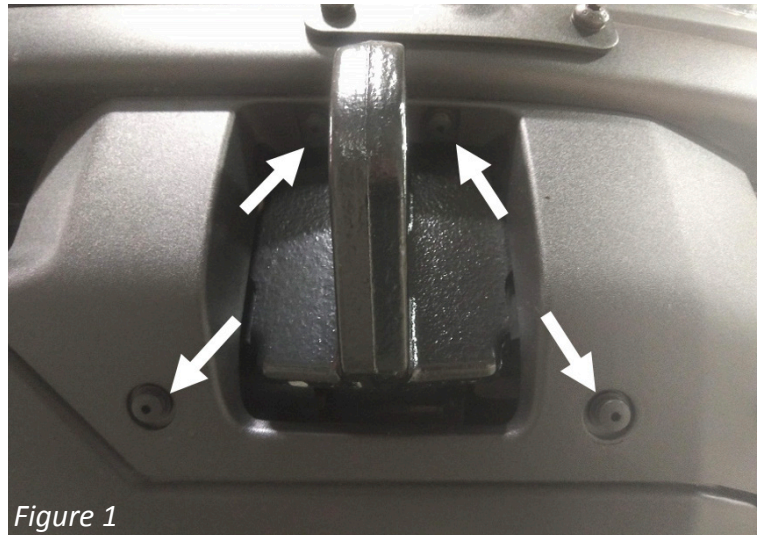


Figure 1

2. Using the 15mm socket wrench remove the six (6) bolts that attach the factory bumper to the frame.



Figure 2

3. The factory bumper can now be removed from the vehicle.

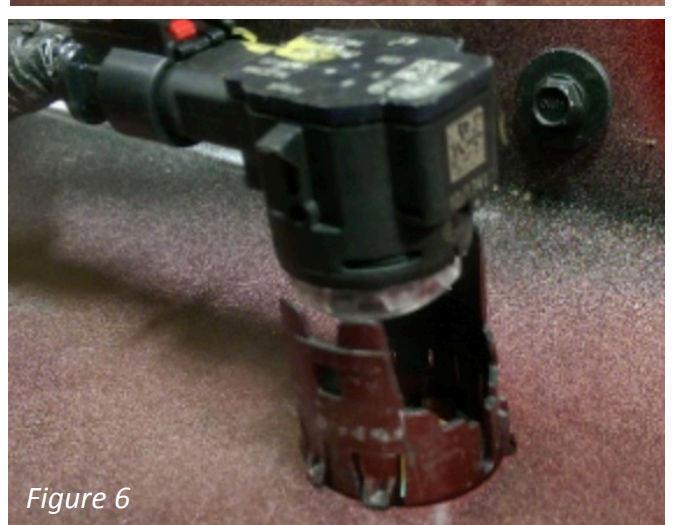
4. Remove the OEM electrical harness from bumper by disassembling the inner bumper and removing the push pins.

NOTE: Document the location of each sensor housing for reference when reinstalling into your bumper.

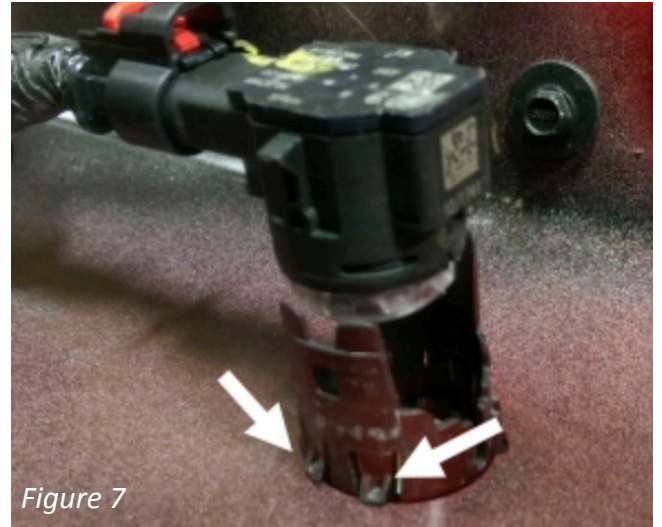


5. Remove the sensor from the sensor housing by expanding both sides of the sensor housing and lifting. (Figure 5-6)

NOTE: Sensors are extremely delicate and must be handled with care! Do not push on face of sensors to remove!



6. Remove the sensor housing from the bumper by depressing the four (4) tabs while pulling outward from the outside of the bumper. (Figure 7-8)



7. Remove the intercooler shroud from the vehicle by depressing the tabs around the perimeter of the shroud and then separating the shroud from the intercooler.



8. Using the 15mm socket wrench, remove the two bolts at the front of the OEM skid plate and then loosen the two bolts at the rear of the OEM skid plate to remove it from the vehicle. (Figure 10)



Figure 10

9. Using the 15mm socket wrench, remove the front bolt and loosen the rear bolt that attaches the skid plate mounting brackets to the frame letting the two brackets hang down. (Figure 11)

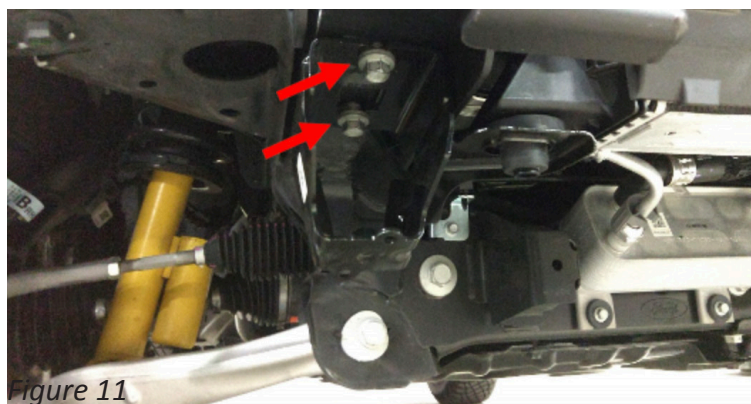


Figure 11

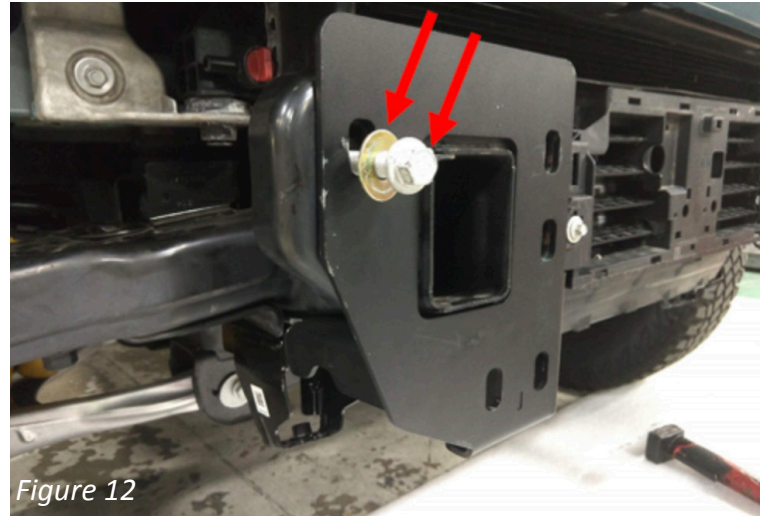
PREINSTALLATION

1. If installing any lighting into the Fab Fours bumper, do so now.
2. Reinstall the factory sensors into the Fab Fours Bumper. If your vehicle is not equipped with sensors, install the four (4) provided rubber grommets and plastic plugs in the sensor cutouts.
3. If installing a winch into the Fab Fours bumper, install the fairlead and winch now. Be sure to install the winch as far forward in the bumper as possible.

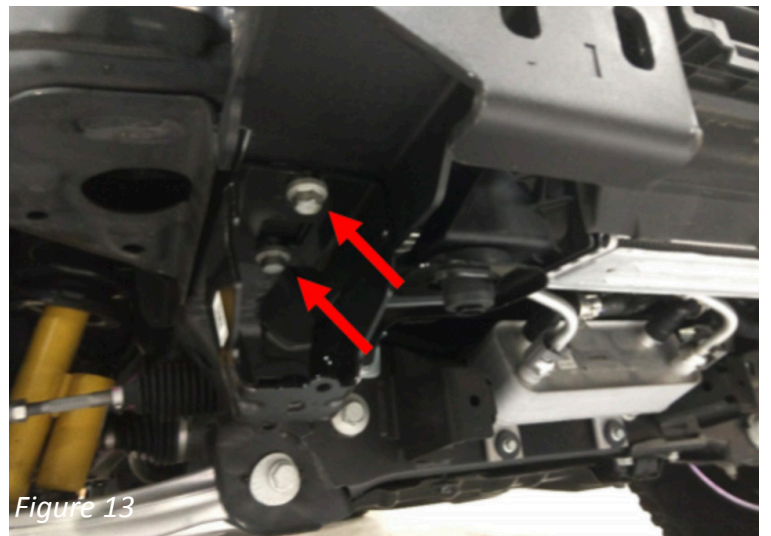
INSTALLATION

1. Install the frame stiffeners (PN: 22512 & 22513) by sliding the tongue of the bracket between the frame rail and skid plate bracket which was left hanging loose earlier.

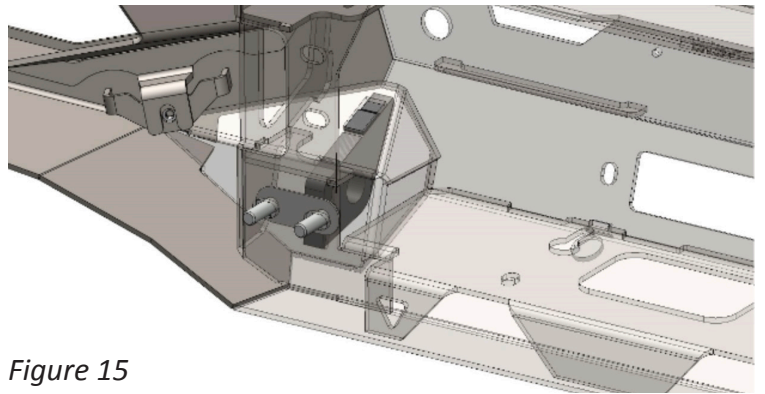
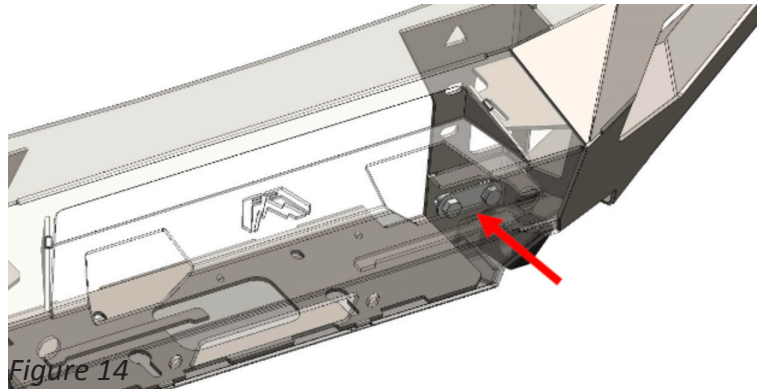
2. With the skid plate bracket bolts loose, reinstall one of the OEM bumper bolts with one of the six provided 7/16" USS flat washers into the outermost hole of the provided frame stiffeners (PN: 22512 & 22513) on the frame horn. (Figure 12)



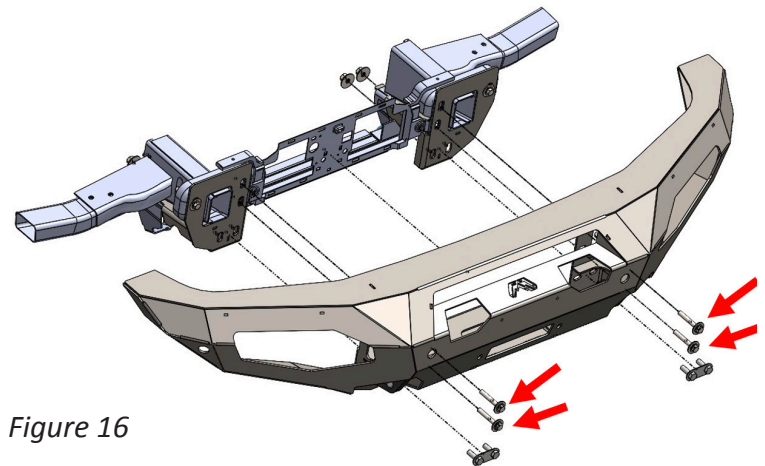
3. Position the frame stiffener so that the three slots at the top of the bracket align with the cutouts in the frame horn. Using a 15mm socket wrench tighten the previously installed bolt in the frame horn and two skid plate bracket bolts. (Figure 13)



4. Insert the two provided bolt strips (PN: 20296) into the two lowest slots in the bumper in preparation for installation of the bumper. (Figure 14-15)



5. Using the remaining four 7/16" USS flat washers on OEM frame horn bolts and a 15mm socket wrench with swiveling extension, install the bumper (PN: 22898) to the frame horns of the vehicle. With the bumper positioned on the vehicle with a 3/8" gap to the valance tighten the four bolts in the frame horns. (Figure 16)



-
6. Using a 3/4" socket wrench, install the four supplied 1/2" USS flat washer, lock washers, and nuts to the previously installed bolt strips and the bottom of the bumper. (Figure 17)

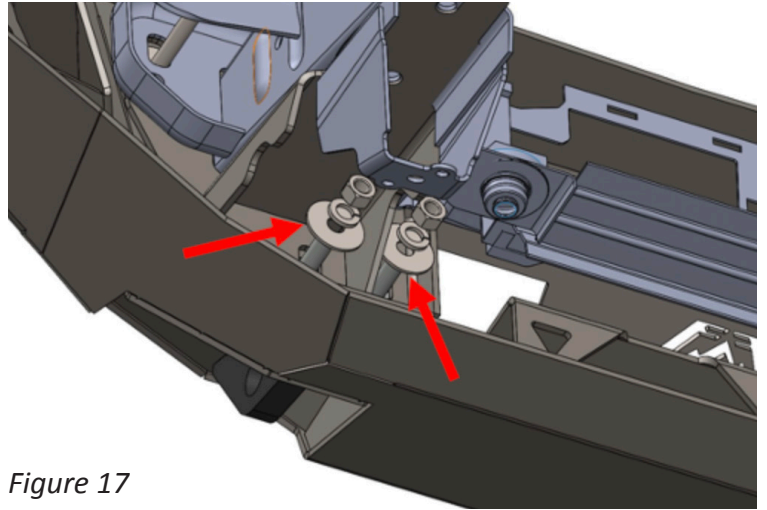


Figure 17

7. Reinstall the OEM skid plate by reversing the steps used to remove it earlier.

INSTALLATION COMPLETE

CONTACT INFORMATION

**FAB FOURS INC.
2213 INDUSTRIAL PARK ROAD
LANCASTER, SC 29720**

PHONE: (866) 385-1905

FAX: 970-385-1914

EMAIL: SUPPORT@FABFOURS.COM

FABFOURS.COM



**“IF YOU’RE LOOKING FOR MORE OF THE SAME,
THEN YOU’VE COME TO THE WRONG PLACE.”**

- GREG HIGGS

