



Installation Instructions
Black Steel / Black Steel Elite
Front Bumper
Product Number: S/Q416X
Application: 2017 FORD SUPER DUTY

.....
SAFETY
.....

Your safety and the safety of others is very important.

- In order to help you make informed decisions about safety, we have provided installation instructions and other information.
- These instructions alert you to potential hazards that could hurt you or others.
- Please do a job safety analysis (JSA) before each task to identify potential hazards for your situation and remove/protect against them.
- You must use your own good judgment, and take your time.

Read and understand all safety precautions and instructions before installing this product.

**THIS PRODUCT IS FOR OFFROAD USE ONLY. ALL LIABILITY FOR
INSTALLATION AND USE RESTS WITH THE OWNER.**

**CARELESS INSTALLATION AND OPERATION CAN RESULT IN SERIOUS INJURY
OR EQUIPMENT DAMAGE.**

**SENSORS FIELD OF VIEW WILL BE ALTERED WITH USE OF THE
REPLACEMENT BUMPER.**

.....
Injury hazard
.....

Failure to observe these instructions could lead to severe injury or death.

- Always** remove jewelry and wear eye protection.
- Always** use extreme caution when jacking up a vehicle for work. Set emergency brake and use tire blocks. Locate and use the vehicle manufacturers designated lifting points. Use jack stands.
- Always** use appropriate and adequate care in lifting components into place.
- Always** insure components will remain secure during installation and operation.
- Always** wear safety glasses when installing this kit. A drilling operation will cause flying metal chips. Flying chips can cause serious eye injury.
- Always** use extreme caution when drilling on a vehicle. Thoroughly inspect the area to be drilled (on both sides of material) prior to drilling, and relocate any objects that may be damaged.
- Always** use extreme caution when cutting and trimming during fitting.
- Always** tighten all nuts and bolts securely per installation instructions.
- Always** route electrical cables carefully. Avoid moving parts, components that become hot and rough or sharp edges.
- Always** insulate and protect all exposed wiring and electrical terminals.
- Always** perform regular inspections and maintenance on mounts and related hardware.



Installation Instructions

Black Steel / Black Steel Elite

Front Bumper

Product Number: S/Q416X
Application: 2017 FORD SUPER DUTY

I. Overview

Congratulations on your purchase of the industries' best and most stylish Ford Super Duty Winch Bumper! This bumper has been **engineered** for strength while keeping the weight down.

This product has also been **engineered** to allow alignment in three directions so you will end up with a very professional fit.

Your bumper was designed in 3-D, fabricated, and powder coated... all in the U.S.A.

Enjoy the fit and finish of a quality Ford Super Duty Winch Bumper from Fab Fours Inc!





Installation Instructions
Black Steel / Black Steel Elite
Front Bumper

Product Number: S/Q416X

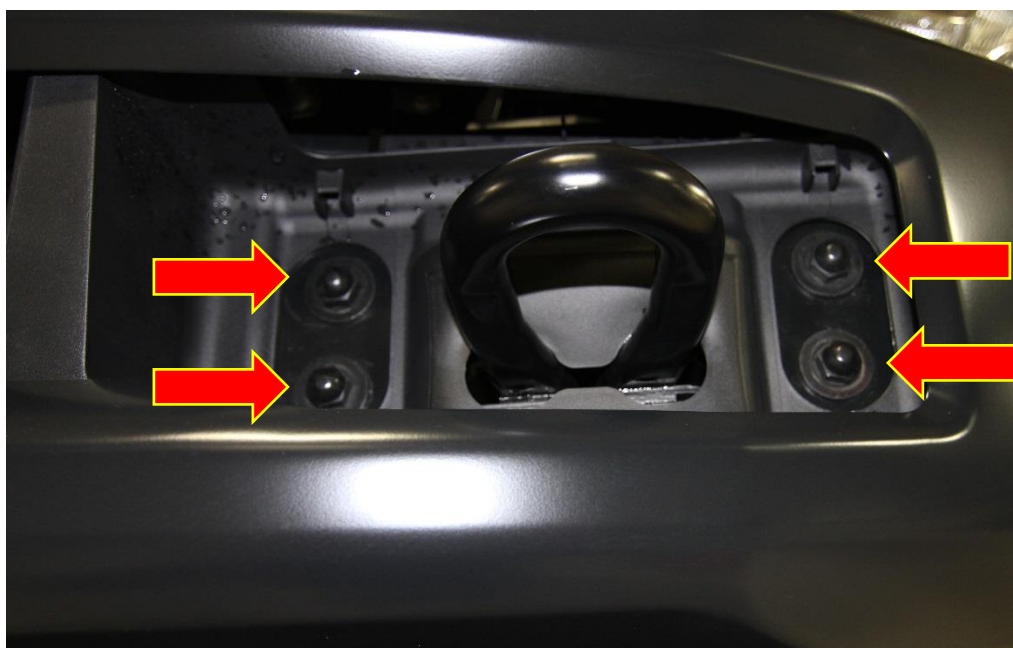
Application: 2017 FORD SUPER DUTY



Installation Instructions
Black Steel / Black Steel Elite
Front Bumper
Product Number: S/Q416X
Application: 2017 FORD SUPER DUTY

II. Vehicle Preparation

1. Start by removing four bolts around tow hook on each side of vehicle. This will require an 18mm socket.



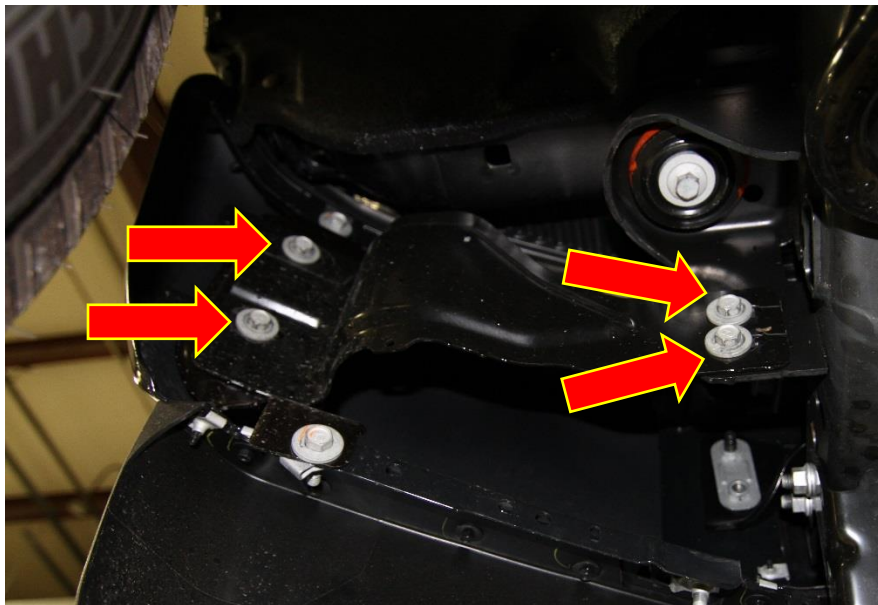
2. Next with the help of someone holding the bumper in place, remove the four 15mm bolts from the bumper support on both sides of vehicle.



Installation Instructions Black Steel / Black Steel Elite Front Bumper

Product Number: S/Q416X

Application: 2017 FORD SUPER DUTY



3. The bumper is now ready for removal. (Be careful when removing bumper if vehicle has a block heater as this will have to be unplugged during this step.)
4. With the bumper off the vehicle, you can now remove the tow hooks by removing the four 18mm bolts located under the top of frame rail.



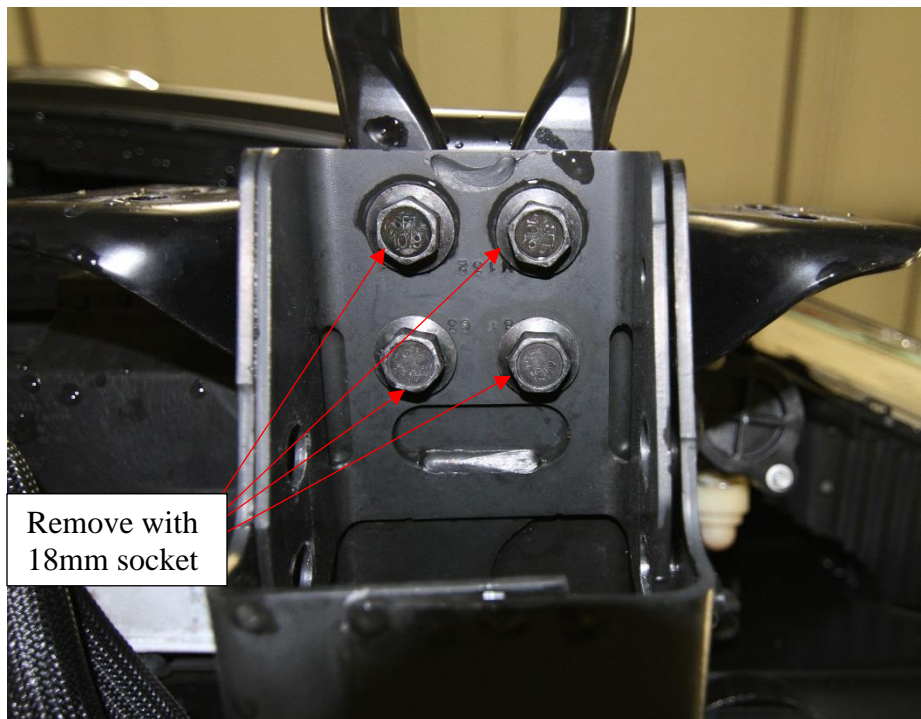
Installation Instructions

Black Steel / Black Steel Elite

Front Bumper

Product Number: S/Q416X

Application: 2017 FORD SUPER DUTY



5. Next using 18mm socket remove the two nuts on either side of the frame attaching frame horns to frame. Set bolt strips and nuts aside as they will be used in the installation of Fab Fours bumper. (See image)



Installation Instructions
Black Steel / Black Steel Elite
Front Bumper
Product Number: S/Q416X
Application: 2017 FORD SUPER DUTY





Installation Instructions

Black Steel / Black Steel Elite

Front Bumper

Product Number: S/Q416X

Application: 2017 FORD SUPER DUTY

III. Winch Bumper Installation

NOTE: The following installation steps apply to the installation of the bumper to the vehicle. **PLEASE READ THE ENTIRE MANUAL BEFORE ATTEMPTING INSTALLATION!** Ignoring these steps will increase your probability of scratching the vehicle during product installation!

1. Remove the bumper from the shipping carton. Lay all items out on a blanket to prevent damage to the powder coating. Install lower guard (***IF INSTALLING A WINCH, REFER TO WINCH TRAY INSTALLATION INSTRUCTIONS***) by rotating it into position from the bottom of the bumper as shown below. Install three ½" fasteners (as provided in hardware bag labeled 20260-HW) per side with bolt heads facing the inside of the bumper.



Installation Instructions
Black Steel / Black Steel Elite
Front Bumper
Product Number: S/Q416X
Application: 2017 FORD SUPER DUTY

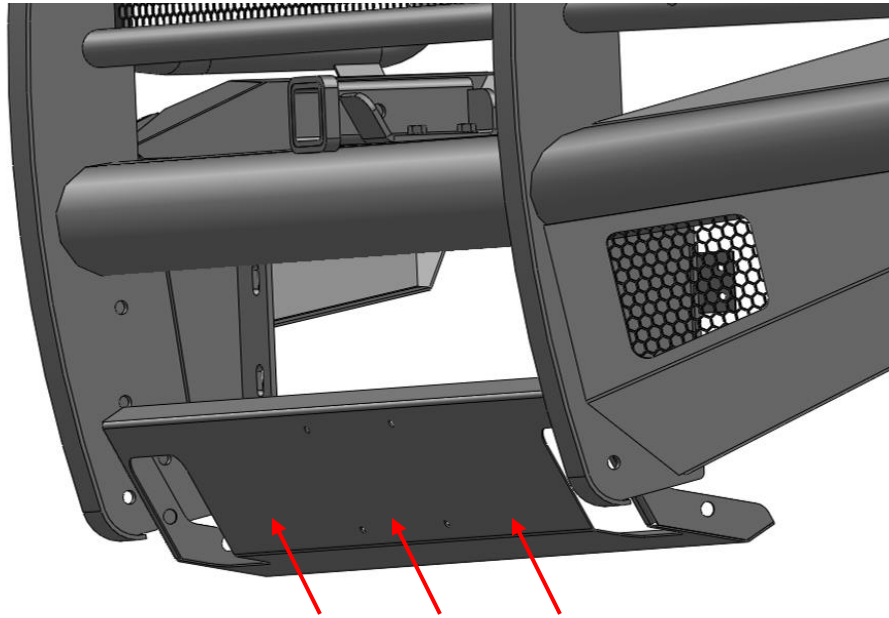


Figure 1 - Lower Guard Installation

2. **OPTIONAL:** If you wish, add after market light pods at this time. Please refer to individual manufacturers wiring instructions and see image below as mounting reference.



Installation Instructions

Black Steel / Black Steel Elite

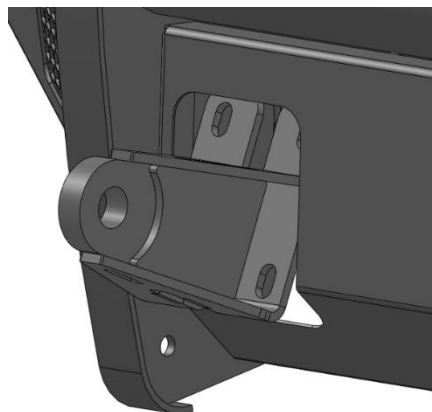
Front Bumper

Product Number: S/Q416X

Application: 2017 FORD SUPER DUTY



3. **OPTIONAL:** If installing your bumper with D-ring shackle mounts, they should be placed inside the bumper mounting brackets before final installation. Insert the shackle mounts from the front of the bumper as shown below.



4. **OPTIONAL:** If installing the 2" receiver hitch accessory, attach it to the bumper with the provided 1/2" hardware



Installation Instructions

Black Steel / Black Steel Elite

Front Bumper

Product Number: S/Q416X

Application: 2017 FORD SUPER DUTY

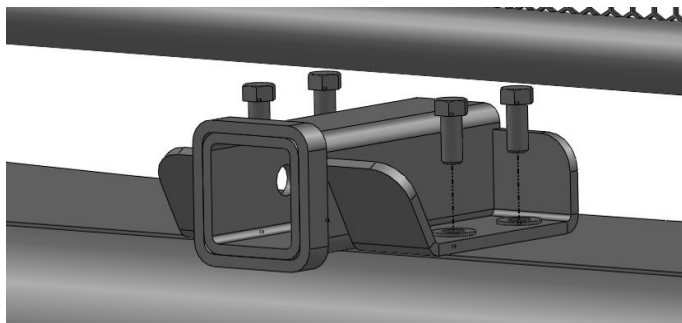
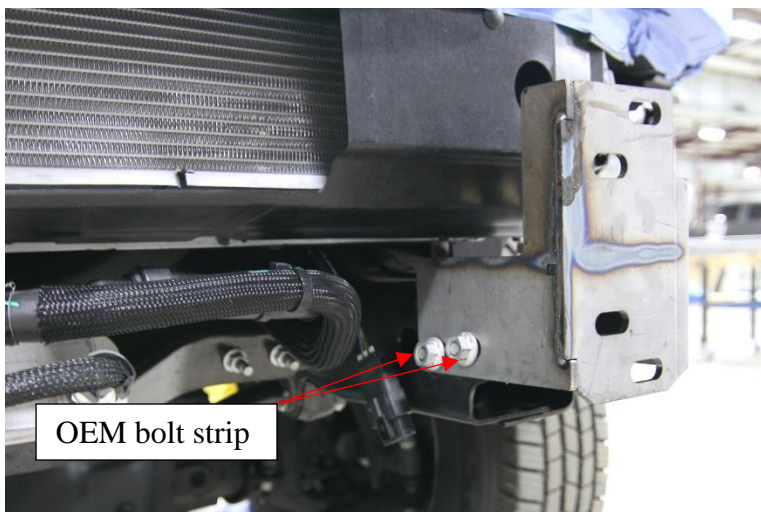


Figure 2 - Hitch Installation

5. Install Fab Fours mounting bracket using OEM bolt strips on either side of frame and then supplied M14 hardware into top of frame as shown below. Do not fully tighten the hardware.





Installation Instructions Black Steel / Black Steel Elite Front Bumper

Product Number: S/Q416X

Application: 2017 FORD SUPER DUTY



6. Once the brackets loosely installed, with the help of two other people, lift the bumper into place.
7. With the bumper in place loosely install ½” hardware securing bumper to brackets.
8. Next hold the bumper into desired position on the truck.
NOTE: Fab Fours recommends a MINIMUM gap of 3/8” at the outer fenders and headlights to prevent paint damage in normal operation.
9. With the bumper in position you can now tighten hardware. Tighten all fasteners fully; beginning with frame mounts. Then tighten all mount-to-bumper fasteners.

OPTIONAL: Trim the inner fender liners to match the higher clearance of your Fab Fours bumper. This can be done with a body saw, rotary tool, or sharp utility knife (New blade strongly recommended). **USE CAUTION WHEN PERFORMING ANY**



Installation Instructions

Black Steel / Black Steel Elite

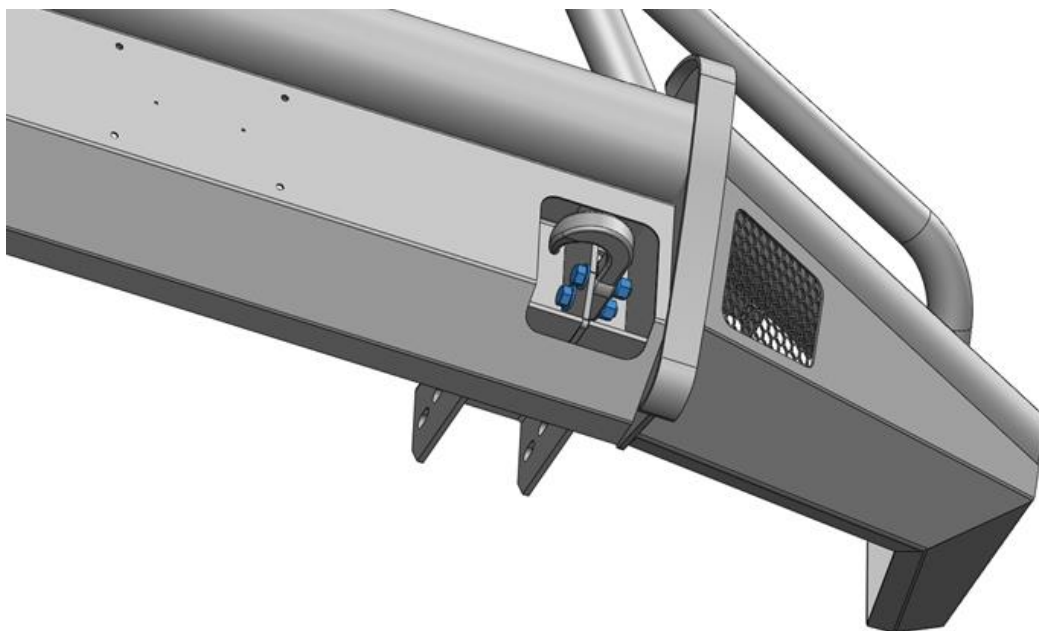
Front Bumper

Product Number: S/Q416X

Application: 2017 FORD SUPER DUTY

CUTTING OPERATION TO PREVENT VEHICLE DAMAGE OR PERSONAL INJURY.

10. Install the supplied tow hooks in the orientation shown below (Open to the inside and on the outside of the brace) using the supplied $\frac{1}{2}$ "-13 bolts, washers, and nuts.



IV. Maintenance/Care

- Periodically check and tighten all fasteners.
- Stripped, fractured, or bent bolts or nuts need to be replaced.
- Keep all surfaces free of dirt, road grime, and standing water to ensure finish longevity.

V. Contact Information

Fab Fours Inc.

Phone (866)-385-1905



Installation Instructions
Black Steel / Black Steel Elite
Front Bumper

Product Number: S/Q416X

Application: 2017 FORD SUPER DUTY

2213 Industrial Park Rd.
Lancaster, SC 29720

Fax (866)-574-1424
Email Support@fabfours.com



More than expected... Better than expected